

# Bleed Valves

## Applications

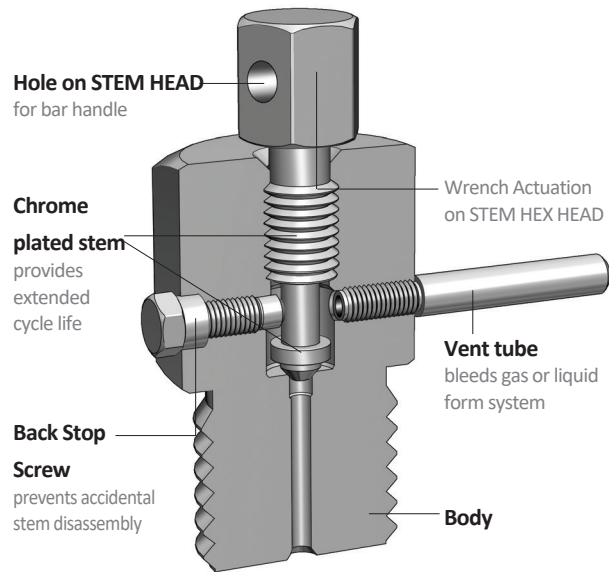
SUPERLOK bleed valves can be used on instrumentation devices such as multivalve manifolds or gauge valves to vent signal line pressure to atmosphere Before removal of an instrument or to assist in calibration of control devices.

## Features

- Compact for convenient installation.
- Back stop screw prevents accidental remove of stem.
- Chrome-plated stem threads and tip improves valve life.
- Male NPT or ISO Thread end connection.

## Caution

When installing a SUPERLOK bleed valve, position the vent tube to direct system fluid away from operating personnel. Always open bleed valves slowly. These valves contain no packing, so some fluid seepage will occur when the valves are opened. operating personnel must protect themselves from exposure to system fluids.



## Materials of Construction

Component	Valve Body Materials
Stem	316 SS / A276
Body	316 SS / A276
Back stop screw	316 SS / A276
Vent tube	316 SS / A269

## Pressure - temperature ratings

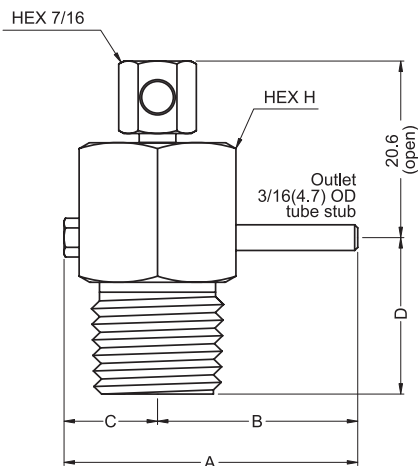
Temperature, °F (°C)	Working Pressure, psig (bar)
-65(-53) to 100(37)	10,000(689)
200(93)	9,290(640)
300(148)	8,390(578)
400(204)	7,705(530)
450(232)	7,435(512)
500(260)	7,165(493)
600(315)	6,770(466)
650(343)	6,660(458)
700(371)	6,840(446)
750(398)	6,335(436)
800(426)	6,230(429)
850(454)	6,085(419)

• Rating based on 316 stainless steel body material.

## Technical Data

Series	Orifice in.(mm)	Pressure-Temperature Rating	
		Temperature	Working Pressure
SBLV	0.125 (3.2)	-65 to 850°F (-54 to 454°C)	10,000psig (689bar) @100°F (38°C)

## Table of Dimension



* Part No.	End Connection		Cv	Dimensions inch(mm)				
	Inlet	Outlet		A	B	C	D	H
SBLV-M2N	1/8" Male NPT	O.D. 3/16" tube stub	0.25	1.34	0.92	0.41	0.75	0.625
SBLV-M4N	1/4" Male NPT			(34.0)	(23.4)	(10.4)	(19.1)	(15.87)
SBLV-M6N	3/8" Male NPT			1.47	1.03	0.44	0.88	0.875
SBLV-M8N	1/2" Male NPT			(37.3)	(26.1)	(11.2)	(22.3)	(22.22)
SBLV-M12N	3/4" Male NPT			1.87	1.15	0.72	1	1.125
		(47.6)	(29.3)	(18.3)	(25.4)	(28.57)		

\* To order a valve with 316 stainless steel bar handle, suffix "-BH" to the part number. (Example: SBLV-M4N-BH)

## Testing

- Each valve is tested with nitrogen@1000psig(69bar)to max leak rate of 0.1 SCCM.
- Hydrostatic shell test is performed at 1.5times the working pressure as an option.

- Dimensions and Drawings are for reference only and are subject to change without prior notice.
- Unless otherwise specified, all dimensions are in millimeters.
- Sizes, pressure classes, and end connections not listed are available upon request.
- Dimensions shown with SUPERLOK nuts finger-tight, where applicable.