

High Pressure Ball Valves

SHBV Series 10,000, 15,000 and 20,000 psi

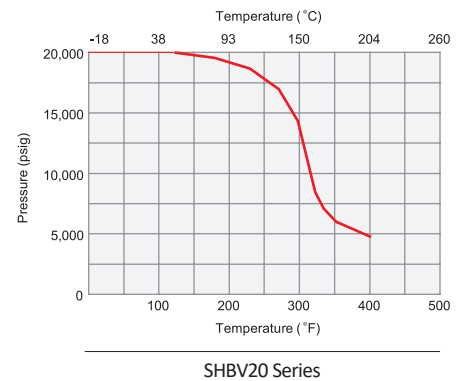
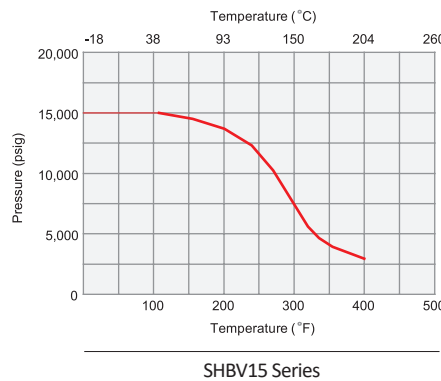
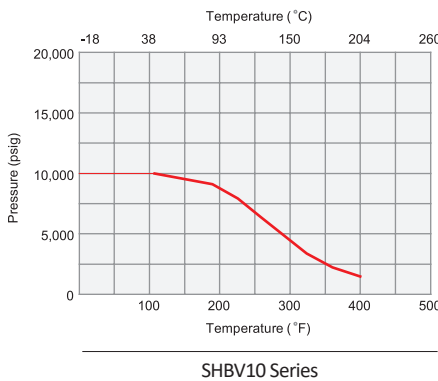
Features

- Trunnion mounted style, ideal for severe duty applications.
- Two-way and three-way valve configurations.
- Three-way, quarter turn diverter and half turn switching models.
- Full-port flow path minimizes pressure drop.
- PEEK seats offer excellent resistance to chemicals, heat, and wear/abrasion.
- 316 stainless steel high tensile bodies.
- Electric and pneumatic actuator options.
- Viton O-ring for operation from 0°F (-17.8°C) to 400°F (204°C)
- Optional O-rings available.
- Wide selection of tube and pipe end fittings available.



Technical Data

Pressure & Temperature Curve



Ordering Information

Example : **SHBV 203 - MP9 - 4 - 276**

1
2
3
4
5

1. Valve Series

- SHBV10 = 10,000 psi
- SHBV15 = 15,000 psi
- SHBV20 = 20,000 psi

2. Body Style

- (Blank) = 2-WAY Straight Valve
- 3 = 3-WAY VALVE, 180° Turn
- 3Q = 3-WAY VALVE, 90° Turn

3. Connection Size & Type

Size (inch)	1/8	1/4	3/8	1/2	9/16	3/4	1
NPT(Female)	F2N	F4N	F6N	F8N	-	F12N	F16N
Medium Pressure	-	MP4	MP6	-	MP9	MP12	-
High Pressure	-	HP4	HP6	-	HP9	-	-

4. Orifice Size

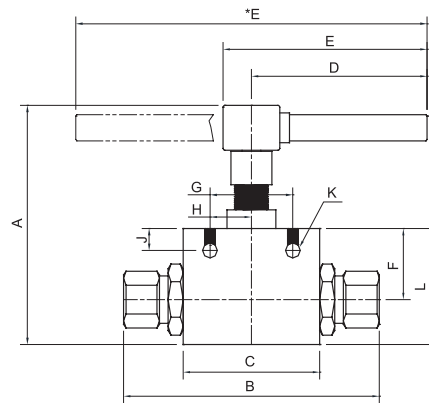
- 4 = 6.35mm
- 6 = 9.53mm
- 8 = 12.7mm

5. Body Material

- (Blank) = 316 Stainless Steel
- 276 = Hastelloy
- 625 = Inconel 625

※ For special sizes and configurations, please consult BMT (SUPERLOK) sales representative.

Table of Dimensions

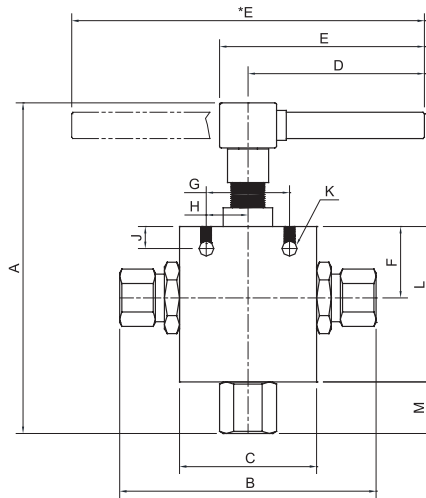


Three Way / Two Stem Connection Valves

Part No.	Tube OD	Orifice, in.(mm)	Dimensions, in.(mm)											Thickness, in.(mm)
			A	B	C	D	E	F	G	H	J	K	L	
SHBV10-MP12-8	MP 3/4"	0.5 (12.7)	5.97 (126.3)	7.73 (196.5)	4.13 (104.8)	5.13 (130.2)	10.25 (260.4)	1.76 (44.7)	3 (76.2)	1.5 (38.1)	0.5 (12.7)	0.28 (7.1)	3.09 (78.6)	1.75 (44.5)
SHBV10-MP16-8	MP 1"													
SHBV10-F12N-8	F.NPT 3/4"													
SHBV10-F16N-8	F.NPT 1"													
SHBV15-F2N-4	F.NPT 1/8"	0.25 (6.35)	4.33 (110)	4.19 (106.5)	2 (50.8)	3.37 (85.6)	3.9 (99)	1.13 (28.6)	1.5 (38.1)	0.75 (19.1)	0.43 (10.9)	0.28 (7.1)	1.91 (48.4)	1 (25.4)
SHBV15-F4N-4	F.NPT 1/4"													
SHBV15-F6N-4	F.NPT 3/8"													
SHBV15-F8N-4	F.NPT 1/2"													
SHBV15-F4N-6	F.NPT 1/4"	0.375 (9.53)	4.97 (126.3)	5.53 (140.4)	3 (76.2)	4.99 (126.8)	5.52 (140.3)	1.38 (34.9)	2 (50.8)	1 (25.4)	0.41 (10.3)	0.28 (7.1)	2.5 (63.5)	1.38 (34.9)
SHBV15-F6N-6	F.NPT 3/8"													
SHBV15-F8N-6	F.NPT 1/2"													
SHBV20-MP4-4	MP 1/4"	0.11 (2.79)	4.33 (110)	4.19 (106.5)	2 (50.8)	3.37 (85.6)	3.9 (99)	1.13 (28.6)	1.5 (38.1)	0.75 (19.1)	0.43 (10.9)	0.28 (7.1)	1.91 (48.4)	1 (25.4)
SHBV20-MP6-4	MP 3/8"	0.2 (5.2)												
SHBV20-MP9-4	MP 9/16"	0.25 (6.35)												
SHBV20-HP4-4	HP 1/4"	0.094 (2.4)												
SHBV20-HP6-4	HP 3/8"	0.125 (3.2)												
SHBV20-HP9-4	HP 9/16"	0.19 (4.8)												
SHBV20-MP6-6	MP 3/8"	0.2 (5.2)												
SHBV20-MP9-6	MP 9/16"	0.31 (7.9)	4.97 (126.3)	5.53 (140.4)	3 (76.2)	4.99 (126.8)	5.52 (140.3)	1.38 (34.9)	2 (50.8)	1 (25.4)	0.41 (10.3)	0.28 (7.1)	2.5 (63.5)	1.38 (34.9)
SHBV20-MP12-6	MP 3/4"	0.375 (9.53)												

- Dimensions and Drawings are for reference only and are subject to change without prior notice.
 - Unless otherwise specified, all dimensions are in millimeters.
 - Sizes, pressure classes, and end connections not listed are available upon request.

Table of Dimensions



Three Way / Two Stem Connection Valves

Part No.	Connection	Orifice, in.(mm)	Dimensions, in.(mm)											Thickness, in.(mm)	
			A	B	C	D	E	F	G	H	J	K	L		M
SHBV103-MP12-8	MP 3/4"	0.5 (12.7)	7.83 (198.8)	7.77 (197.4)	4.13 (104.8)	5.13 (130.2)	10.25 (260.4)	1.66 (42.2)	3 (76.2)	1.5 (38.1)	0.5 (12.7)	0.28 (7.1)	3.34 (84.9)	1.7 (43.2)	1.75 (44.5)
SHBV103-MP16-8	MP 1"														
SHBV103-F12N-8	F.NPT 3/4"														
SHBV103-F16N-8	F.NPT 1"														
SHBV153-F2N-4	F.NPT 1/8"	0.19 (4.8)	5.64 (143.4)	4.72 (119.9)	2.5 (63.5)	3.37 (85.6)	3.9 (99)	1.13 (28.6)	1.5 (38.1)	0.75 (19.1)	0.43 (10.9)	0.28 (7.1)	2.25 (57.2)	0.97 (24.6)	1 (25.4)
SHBV153-F4N-4	F.NPT 1/4"														
SHBV153-F6N-4	F.NPT 3/8"														
SHBV153-F8N-4	F.NPT 1/2"														
SHBV153-MP6-6	MP 3/8"	0.2 (5.2)	6.55 (166.4)	5.74 (145.8)	3 (76.2)	4.99 (126.8)	5.52 (140.3)	1.38 (34.9)	2 (50.8)	1 (25.4)	0.41 (10.3)	0.28 (7.1)	2.88 (73)	1.19 (30.2)	1.38 (34.9)
SHBV153-MP9-6	MP 9/16"	0.31 (7.9)													
SHBV153-MP12-6	MP 3/4"	0.33 (8.3)													
SHBV153-F4N-6	F.NPT 1/4"														
SHBV153-F6N-6	F.NPT 3/8"														
SHBV153-F8N-6	F.NPT 1/2"														
SHBV203-MP4-4	MP 1/4"	0.11 (2.79)	5.64 (143.4)	4.72 (119.9)	2.5 (63.5)	3.37 (85.6)	3.9 (99)	1.13 (28.6)	1.5 (38.1)	0.75 (19.1)	0.43 (10.9)	0.28 (7.1)	2.25 (57.2)	0.97 (24.6)	1 (25.4)
SHBV203-MP6-4	MP 3/8"	0.19 (4.8)													
SHBV203-MP9-4	MP 9/16"														
SHBV203-HP4-4	HP 1/4"	0.094 (2.4)													
SHBV203-HP6-4	HP 3/8"	0.125 (3.2)													
SHBV203-HP9-4	HP 9/16"	0.19 (4.8)													

- Dimensions and Drawings are for reference only and are subject to change without prior notice.
 - Unless otherwise specified, all dimensions are in millimeters.
 - Sizes, pressure classes, and end connections not listed are available upon request.