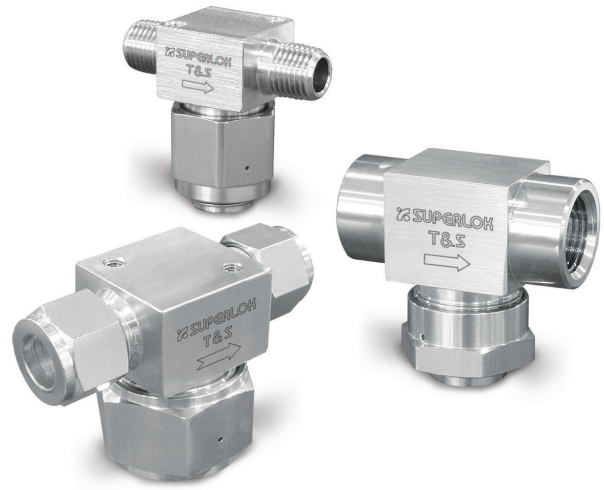


Micron Tee Filters

STF Series

Features

- Remove system particulate contaminants
- The filter element can be replaced without removing the body in the system
- Replaceable sintered filter element
- Maximum operating pressure:
6000 psi (414bar) @ 70°F (21 °C)
- Operating temperature range:
- 40 to 250°F (- 40 to 121°C)



Technical Data

Temperature and Pressure Rating

Filter Series	STF1 & STF2	
Material	SS 316	Brass
Temperature °F (°C)	Working pressure psig (bar)	
-20(-28) to 100(37)	6000(413)	2000(137)
200(93)	5160(355)	1730(119)
300(148)	4660(321)	1470(101)
400(204)	4280(294)	-
500(260)	3980(274)	-
600(315)	3760(259)	-
650(343)	3700(254)	-
700(371)	2600(248)	-
750(398)	3520(242)	-
800(426)	3460(238)	-
850(454)	3380(232)	-
900(482)	3280(225)	-

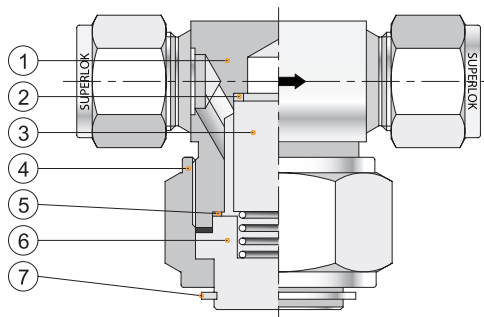
Effective Filtration Area

Filter Series	Sintered Element, in ² (mm ²)
STF1	1.3(830)
STF2	2.0(1280)

Filter Elements

Nominal Pore Size, μm	Pore Size Range, μm
0.5	0.5 to 2
2	1 to 4
7	5 to 10
15	11 to 25
60	50 to 75
90	75 to 100

Materials of Construction



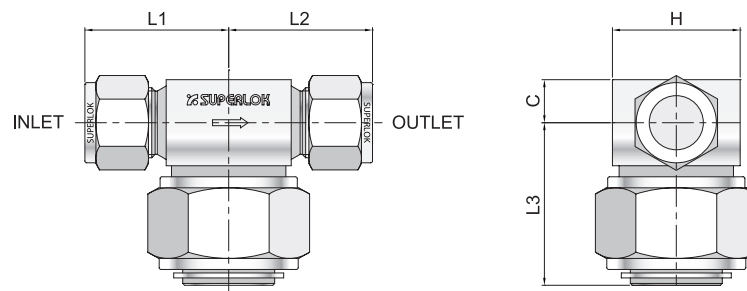
No.	Description	Material
*1	Body	SS316 / A276
*2	Packing	PTFE
*3	Filter Elements	SS316 / Sintered
4	Nut	SS316 / A276
*5	Gasket	SS316 / Silver Plated
*6	Cap	SS316 / A276
7	Snap Ring	Stainless Steel

* Wetted components

Flow Data at 70°F (20°C)

Nominal Element Pore Size µm	Inlet Pressure, psig (bar)						Pressure Drop, psig (bar)					
	5 (0.34)		10 (0.68)		15 (1.0)		10 (0.68)		50 (3.4)		100 (6.8)	
	TF1	TF2	TF1	TF2	TF1	TF2	TF1	TF2	TF1	TF2	TF1	TF2
	Air Flow, L/min						Water Flow, L/min					
0.5	3.4	10	7.3	24	13	45	0.15	0.34	0.64	1.5	1.0	2.8
2	17	39	39	79	65	110	0.9	0.98	3.2	4.1	4.9	6.0
7	39	51	82	119	130	190	1.5	2.4	4.9	8.3	7.5	13
15	34	51	82	130	130	220	1.8	3.1	4.9	9.8	7.9	15
60	87	140	160	280	240	420	3.0	5.6	10	18	14	25
90	110	170	210	310	280	450	4.1	6.4	12	20	18	28

Table of Dimensions



Part No.		Orifice	End Connection	Dimension				
			Inlet / Outlet	L1	L2	L3	C	H
STF1	M4N	4.4	1/4" Male NPT	27.7	27.7	43.4	9.7	27.0
	F2N		1/8" Female NPT	25.9	25.9			
	S4		1/4" SUPERLOK	31.3	31.3			
	S6M		6mm SUPERLOK	31.2	31.2			
STF2	M6N	6.4	3/8" Male NPT	31.2	31.2	44.2	11.7	34.0
	M8N		1/2" Male NPT	36.1	36.1			
	S6		3/8" SUPERLOK	36.3	36.3			
	S8		1/2" SUPERLOK	39.1	39.1			

- Dimensions and Drawings are for reference only and are subject to change without prior notice.
 - Unless otherwise specified, all dimensions are in millimeters.
 - Sizes, pressure classes, and end connections not listed are available upon request.

Ordering Information

Example : **STF1 - M 4N - 7 - B**

1
2
3
4
5

1. Valve Series

- STF1 = Orifice 4.4mm
- STF2 = Orifice 6.4mm

2. Port Type

- S = SUPERLOK Tube Fitting
- M = Male Pipe Thread
- F = Female Pipe Thread

3. Port Size

Pipe Thread Designator

Size (inch)	1/4	3/8	1/2
ISO Tapered	4R	6R	8R
NPT	4N	6N	8N

Tube O.D Designator

Tube O.D (inch)	1/4	3/8	1/2
Designator	4	6	8
Tube O.D (inch)	6	8	12
Designator	6M	8M	12M

4. Filter Element - Pore Size

- 05 = 0.5 Micron
- 7 = 7 Micron
- 60 : 60 Micron
- 2 = 2 Micron
- 15 = 15 Micron
- 90 = 90 Micron

5. Body Material

- (Blank) = 316 Stainless Steel
- B = Brass

※ For special sizes and configurations, please consult BMT (SUPERLOK) sales representative.