

Plug Valves

SPV130 Series

Features

- Pressure Rating up to 3000psig (206 bar) @100°F (37°C)
- Temperature rating -10 to 400°F (-23 to 204°C)
- Simple design with one piece body
- 316 stainless steel body materials
- Panel mountable
- Various end connector
- Straight through flow path
- Replaceable plug assembly
- Easy to clean and maintain



Testing

Every plug valve is factory tested for shutoff at 600 psig (41.3bar)

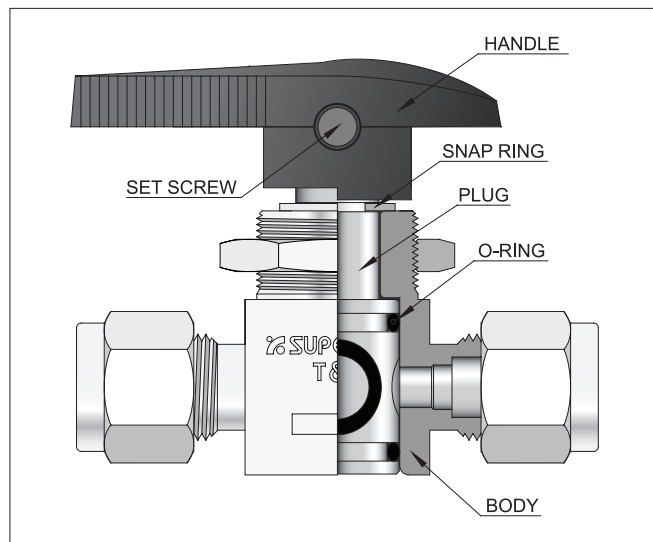
Technical Data

Materials of Construction

Component	Material Grade
*Body	SS316
*Plug	PTFE-coated SS316
*O-rings	VITON
Handle	Aluminum
Set Screw	Stainless Steel
Snap Ring	Stainless Steel

* Wetted components

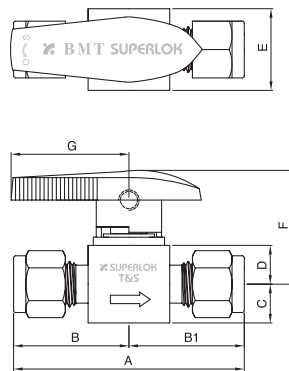
※ Differential pressure is limited to 150 psig maximum if reverse flow occurs
Reverse-flow throttling may be damage o-ring



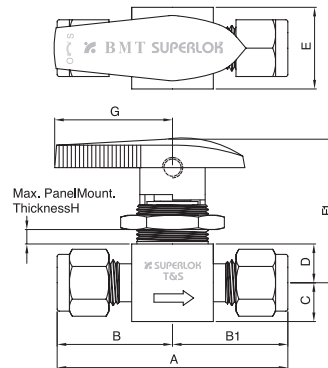
Pressure-Temperature Rating

Series	SPV131,SPV132	SPV131	SPV132
Material	316SS	Brass	
Temperature, °F(°C)	Working Pressure, psig (bar)		
-10 (-23) to 100 (37)	3000 (206)	3000 (206)	2000 (137)
150 (65)	3000 (206)	2500 (172)	2000 (137)
200 (93)	3000 (206)	2000 (137)	2000 (137)
250 (121)	2000 (137)	1500 (103)	1500 (103)
300 (148)	1000 (68.9)	1000 (68.9)	1000 (68.9)
350 (176)	1000 (68.9)	1000 (68.9)	1000 (68.9)
400 (204)	1000 (68.9)	400 (27.5)	400 (27.5)

Table of Dimensions



Standard Style



Panel Mounting Style

Part No.	Orifice	CV	End Connection		Dimensions										
			Inlet	Outlet	A	B	B1	C	D	E	F	F1	G	H	
SPV131	F2N	4.4	1.2	1/8" Female NPT		45.2	22.6	22.6	9.5	9.5	20.0	27.9	35.5	28.9	6.4
	F4N		0.9	1/4" Female NPT		53.1	26.6	26.6							
	M4N-F4N		0.9	1/4" Male NPT	1/4" Female NPT	50.8	24.2	26.6							
	M2N		1.0	1/8" Male NPT		39.0	19.5	19.5							
	M4N		1.0	1/4" Male NPT		48.4	24.2	24.2							
	M4N-S4		0.9	1/4" Male NPT	1/4" SUPERLOK	51.2	24.2	27.6							
SPV132	S2	2.3	0.1	1/8" SUPERLOK		50.5	25.3	25.3	14.0	14.0	30.0	41.6	53.2	51.7	9.4
	S4	4.4	1.6	1/4" SUPERLOK		55.1	27.6	27.6							
	S6M	1.6	6mm SUPERLOK		55.1	27.6	27.6								
	F4N	4.3	1/4" Female NPT		60.5	30.3	30.3								
SPV132	F8N	7.2	2.7	1/2" Female NPT		73.2	36.6	36.6	14.0	14.0	30.0	41.6	53.2	51.7	9.4
	M8N		2.4	1/2" Male NPT		67.1	33.5	33.5							
	S8M		6.4	8mm SUPERLOK		67.6	33.8	33.8							
	S10M		6.4	10mm SUPERLOK		68.1	34.1	34.1							
	S12M		4.8	12mm SUPERLOK		75.2	37.6	37.6							
	S6		6.4	3/8" SUPERLOK		67.6	33.8	33.8							
	S8		4.4	1/2" SUPERLOK		73.2	36.6	36.6							

- Dimensions and Drawings are for reference only and are subject to change without prior notice.
- Unless otherwise specified, all dimensions are in millimeters.
- Sizes, pressure classes, and end connections not listed are available upon request.
- Dimensions shown with SUPERLOK nuts finger-tight, where applicable.

Ordering Information

Example : **SPV131 - S 4 - B**

1 2 3 4

* 316 Stainless Steel is Standard Body Material.

1. Valve Series

- SPV131
- SPV132

3. Connection Size

Fractional Tube	Connection Size (inch)	1/8	1/4	3/8	1/2
	Designator		2	4	6
Metric Tube	Connection Size (mm)	6	8	10	12
	Designator	6M	8M	10M	12M
Thread (inch)		1/4	3/8	1/2	
Screwed NPT		4N	6N	8N	
Screwed BSPT		4R	6R	8R	

2. End Connection

- S = SUPERLOK Tube Fitting
- F = Female Thread
- M = Male Thread

4. Material

- SS (Blank): 316 Stainless Steel
- B : Brass