

Rising Plug Valves

SRPV Series

Features

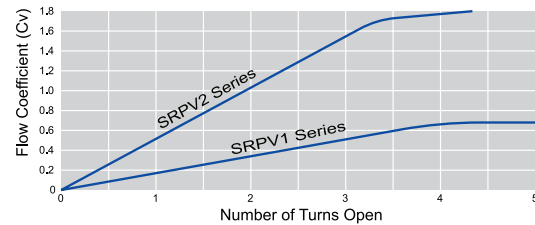
- Non-rotating stem tip
- Straight-through orifice for maximum flow
- Stem dust seal protects threads from external contamination
- Replaceable seals, seat and stem tip
- Panel mounting option
- Gauge port option



Specifications

Pressure rating	6000psig (413bar) @100°F(37°C)
Temperature rating	-20 to 400°F (-28 to 204 °C)
Body material	316 stainless steel
Orifice	4.8mm, 6.4mm

Flow Data at 100°F (37°C)



Testing

Each Valve is tested with nitrogen at 1000psig(69bar) to maximum allowable leak rate of 0.1 SCCM.

Technical Data

Pressure - Temperature Ratings

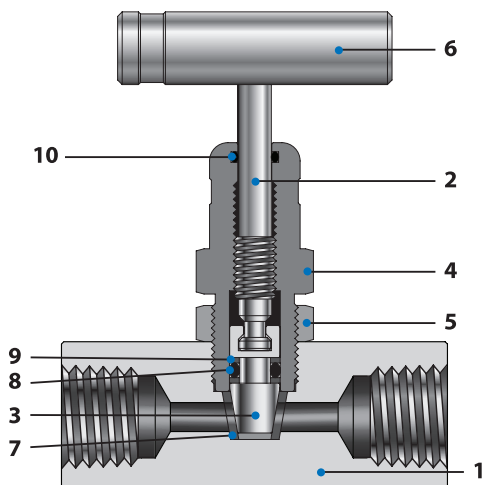
Body Material	316 Stainless Steel	
	Acetal	PEEK
Seat Material	Working Pressure, psig (bar)	
Temperature Rating °F (°C)		
-20 to 100 (-28 to 37)	6000 (413)	6000 (413)
200 (93)	2650 (182)	3000 (206)
250 (121)	1000 (68.9)	1600 (110)
300 (148)	-	1300 (89.5)
350 (176)	-	1200 (82.6)
400 (204)	-	1000 (68.9)

Temperature Ratings

O-ring Material	Temperature Rating °F (°C)
* VITON	-20 to 400 (-28 to 204)
Buna-N	-20 to 250 (-28 to 121)
Ethylene Propylene	-20 to 250 (-28 to 121)
Kalrez	-20 to 400 (-28 to 204)

* Viton O-ring is standard.

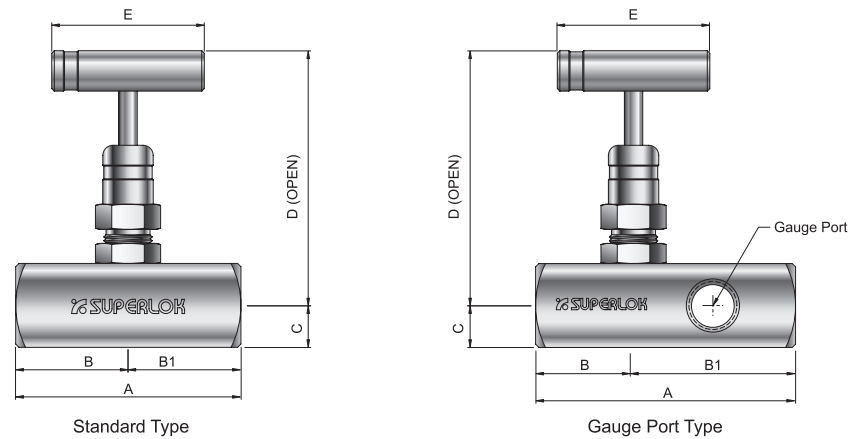
Materials of Construction



No.	Component	Material Grade / ASTM Specification
		Stainless Steel
*1	Body	A276-316
2	Stem	A276-316
*3	Stem tip	A276-316
*4	Bonnet	A276-316
5	Lock Nut	A276-316
6	Handle	A276-316
*7	Seat	Acetal
*8	Stem Seal	Viton
*9	Back-up Ring	PTFE
10	Dust Seal	Viton

* Wetted components

Table of Dimensions



Part No.	Orifice	Cv	End Connections		Dimensions									
			Port 1	Port 2	A	B	B1	C	D	E				
SRPV1	F4N	4.8	0.63	1/4" Female NPT		62.0	31.0	31.0	12.7	96.3	60.0			
	M4N-F4N			1/4" Male NPT	1/4" Female NPT	76.2	45.2							
	M8N-F4N			1/2" Male NPT	1/4" Female NPT	81.1	50.1							
SRPV1-G4N	F4N	4.8	0.63	1/4" Female NPT		78.0	31.0	47.0	12.7	96.3		60.0		
	M8N-F4N			1/2" Male NPT	1/4" Female NPT	97.1	50.1							
SRPV2	F8N	6.4	1.80	1/2" Female NPT		84.0	42.0	42.0	16.0	96.9			60.0	
	M8N-F8N			1/2" Male NPT	1/2" Female NPT	103.1	61.1							
	M12N-F8N			3/4" Male NPT	1/2" Female NPT	103.1	61.1							
SRPV2-G8N	F8N	6.4	1.80	1/2" Female NPT		107.4	42.0	65.4	16.0	96.9				60.0
	M8N-F8N			1/2" Male NPT	1/2" Female NPT	126.5	61.1							
	M12N-F8N			3/4" Male NPT	1/2" Female NPT	126.5	61.1							

- Dimensions and Drawings are for reference only and are subject to change without prior notice.
- Unless otherwise specified, all dimensions are in millimeters.
- Sizes, pressure classes, and end connections not listed are available upon request.
- Dimensions shown with SUPERLOK nuts finger-tight, where applicable.

Ordering Information

Example : **SRPV1 - F4N - PE - EP - P**

1
2
3
4
5
6

• 316 Stainless Steel is standard body material.

1. Valve Series

- SRPV1 = Without gauge port
- SRPV1-G4N = Gauge port 1/4" NPT
- SRPV2 = Without gauge port
- SRPV2-G8N = Gauge port 1/2" NPT

2. Port Type

- M = Male Pipe Thread
- F = Female Pipe Thread

3. Port Size

Pipe Thread Designator

Size (inch)	1/4	1/2	3/4
Screwed NPT	4N	8N	12N
Screwed BSPT	4R	8R	12R

4. Seat Material

- (Blank) = Acetal (Standard)
- PE = PEEK

5. O-ring Material

- (Blank) = Viton (Standard)
- N = Buna N
- EP = Ethylene propylene (EPDM)
- KAL = Kalrez

6. Panel Mounting

- (Blank) = Without Panel Mounting (Standard)
- P = Panel Mounting Type